

**Product Specification**

Brand	ibuddy
Name	Pet car seat cover
Fabric	Oxford cloth,PP cotton
Color	Black
Usage scenario	Back seat
Size	54*58inch
Weight	2.75 lb
Maximum bearing capacity	132 lb
Applicable breed	All breed
Applicable models	Mid-size car and suv

**Washing Instructions**



**Maintenance**

1. Do not use it under high temperature.
2. Clean the hair, droppings, and other dirt timely.
3. Do not use it for long hours.

Website: [www.ibuddy.shop](http://www.ibuddy.shop)  
 Email: [support@ibuddy.shop](mailto:support@ibuddy.shop)



**PET CAR SEAT COVER  
 MANUAL**



**Warranty Card**

If you have any question about this pet seat cover,  
 please contact us and tell us your order ID.  
 We will offer you a solution within 24 hours.  
 📧 [www.ibuddy.shop](http://www.ibuddy.shop)

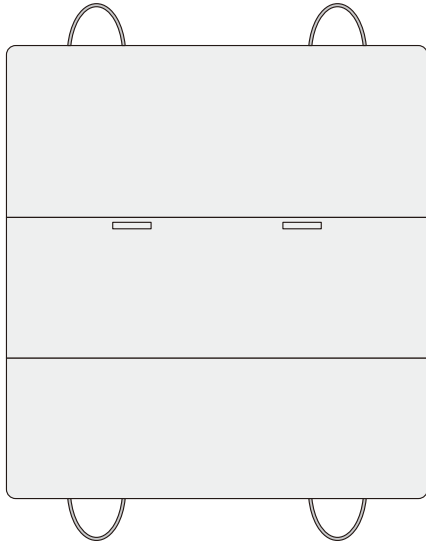
- STEP 1: Open [www.ibuddy.shop](http://www.ibuddy.shop)  
 STEP 2: Click [contact us](#)  
 STEP 3: Fill in the information as required

**Pet car seat cover**  
 📧 [www.ibuddy.shop](http://www.ibuddy.shop)



STEP 1

ibuddy®



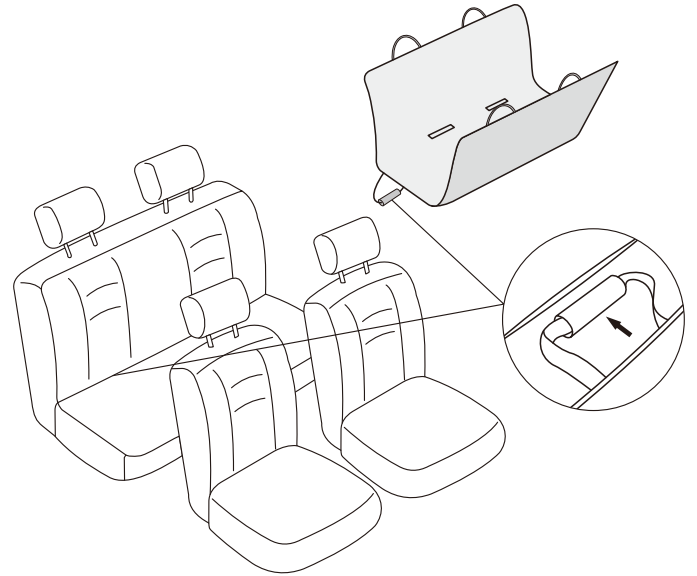
Check your package contents (pet seat cover\*1, manual\*1).

Website: [www.ibuddy.shop](http://www.ibuddy.shop)  
Email: [support@ibuddy.shop](mailto:support@ibuddy.shop)



STEP 2

ibuddy®



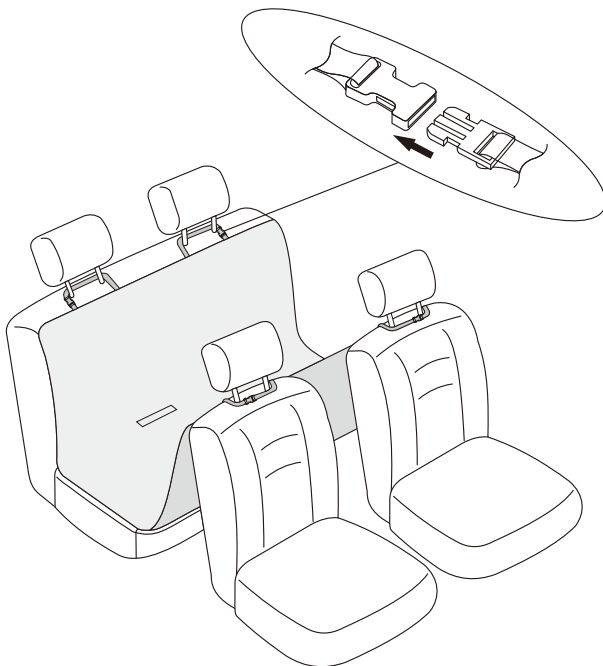
Attach the anti-slide bottom to the leather seat. Insert seat anchors into the crack between seat cushion and seat back.

Website: [www.ibuddy.shop](http://www.ibuddy.shop)  
Email: [support@ibuddy.shop](mailto:support@ibuddy.shop)



STEP 3

ibuddy®



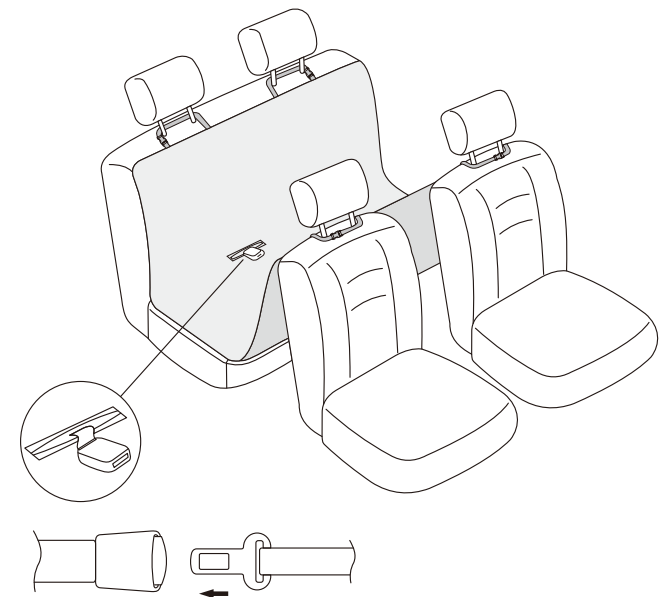
Set the straps around the headrest, adjust the 4 plastic clips to fix cover firmly.

Website: [www.ibuddy.shop](http://www.ibuddy.shop)  
Email: [support@ibuddy.shop](mailto:support@ibuddy.shop)



STEP 4

ibuddy®



Open the Velcro, pull out the seat belt buckles. Put one end of the safe belt in the buckle clasp.

Website: [www.ibuddy.shop](http://www.ibuddy.shop)  
Email: [support@ibuddy.shop](mailto:support@ibuddy.shop)

