

Product Specification

Brand	ibuddy
Name	Pet car seat cover
Fabric	Oxford cloth,PP cotton
Color	Black
Usage scenario	Back seat
Size	54*58inch
Weight	5.2 lb
Maximum bearing capacity	132 lb
Applicable breed	All breed
Applicable models	Mid-size car and suv

Washing Instructions



Maintenance

1. Do not use it under high temperature.
2. Clean the hair, droppings, and other dirt timely.
3. Do not use it for long hours.

Website: www.ibuddy.shop
 Email: support@ibuddy.shop



**PET SEAT COVER
MANUAL**



Warranty Card



**If you have any question about this pet seat cover,
 please contact us and tell us your order ID.**

We will offer you a solution within 24 hours.

www.ibuddy.shop

STEP 1: Open www.ibuddy.shop

STEP 2: Click [contact us](#)

STEP 3: Fill in the information as required

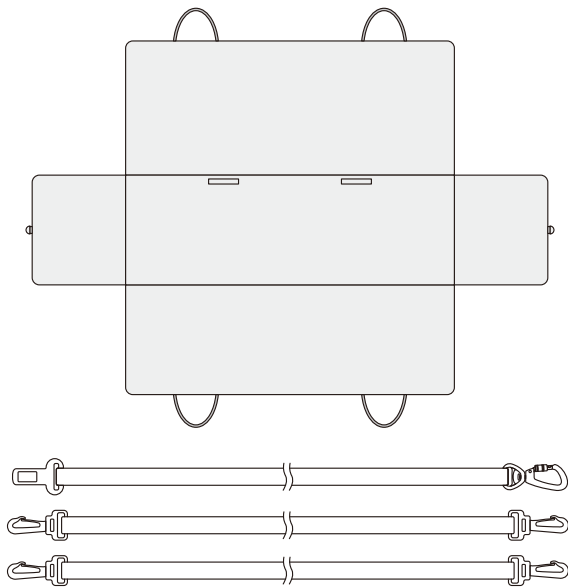
Pet car seat cover

www.ibuddy.shop



STEP 1

ibuddy®

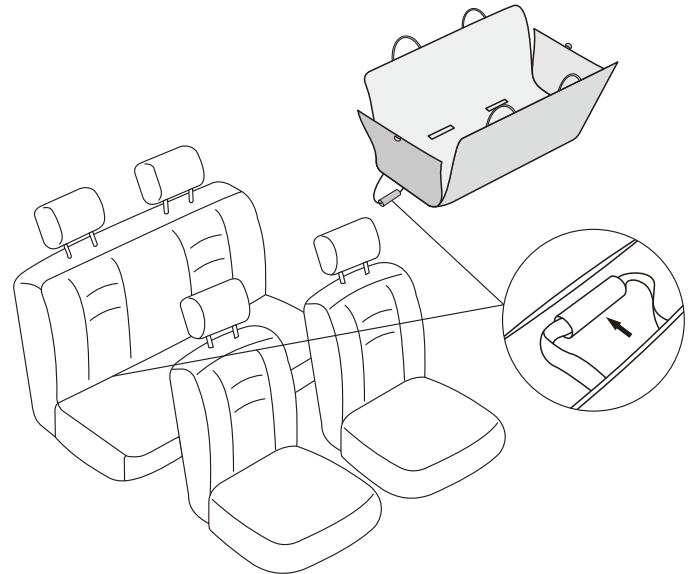


Check your package contents (pet seat cover*1, dog safety belt*1, strap*2, manual*1).

Website: www.ibuddy.shop
Email: support@ibuddy.shop

**STEP 2**

ibuddy®

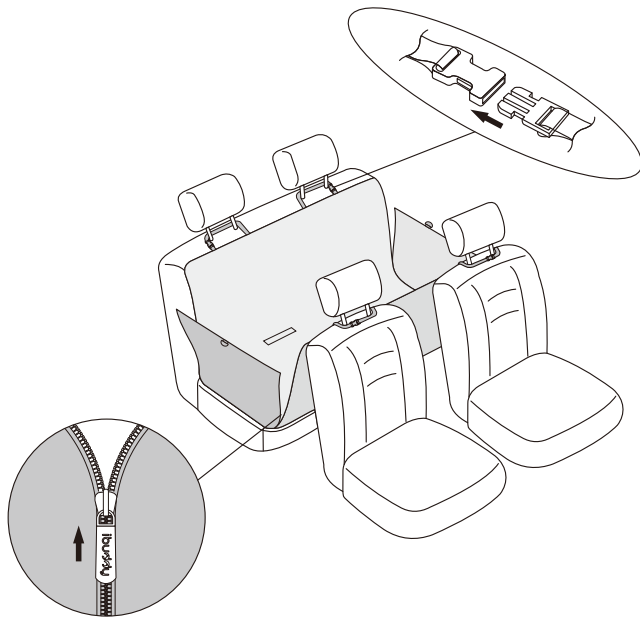


Attach the anti-slide bottom to the leather seat. Insert seat anchors into the crack between seat cushion and seat back.

Website: www.ibuddy.shop
Email: support@ibuddy.shop

**STEP 3**

ibuddy®

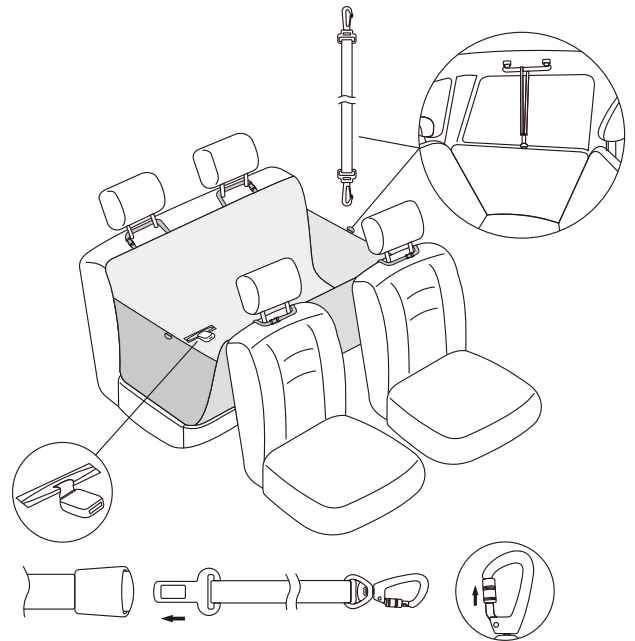


Set the straps around the headrest, adjust the 4 plastic clips to fix cover firmly, then zip up.

Website: www.ibuddy.shop
Email: support@ibuddy.shop

**STEP 4**

ibuddy®



Open the Velcro, pull out the seat belt buckles. Fasten the strap around the handle. Put one end of the safe belt in the buckle clasp, and the other end to the pet collar, and then push the safety lock up.

Website: www.ibuddy.shop
Email: support@ibuddy.shop

